



**STAR**

QUALITY SWINGSETS



**PREMIUM  
VINYL  
SWING SETS**



# About Us

For more than a decade, we have been handcrafting quality vinyl swingsets in Lancaster County, PA. Our family owned and operated business is fully committed to creating safe and durable swingsets for your children or grandchildren.

When you are looking for a playset for your child the last thing you need to worry about is safety. That's why at Star Quality we focus on safety. No exposed wood, which means no splinters, ever. Our rounded vinyl caps leave no dangerous sharp edges exposed. Non slip grip tape provides added traction on steps when entering the towers. Smooth, slip resistant vinyl is the only thing your child needs to come in contact with.

When it comes to durability, we believe in putting our money where our mouth is. That's why all our playsets have a no quibble, 20 year warranty. We believe in our product. That's why we guarantee you will too! See our warranty page for full details. Questions? Check out our FAQ's on page 5!

What are you waiting for? Shop our various playset models or start customizing your child's dream swingset today!

Follow us for custom builds and tips!



# STAR

QUALITY SWINGSETS



# Table of Contents

4	The Best Value In Outdoor Play
5	FAQ
6	How This Works
8	Star I
9	Star II
10	Space Ship
11	Star Cluster
12	Star Explorer
13	Shooting Star Climber
14	Silver Star
15	Solar
16	Starlight
17	Bright Star
18	Wishing Star
19	Stardust
20	Galaxy
21	Starburst
22	Comet
23	Galaxy Explorer
24	Moon Walk
25	Nebula
26	Playstation
27	Star Gazer
28	Mercury
29	Super Nova
30	Orion's Hideout
31	Galaxy Star
32	Super Star
33	Space Shuttle
34	Lucky Star
36	Orbit Nebula Climber
37	Milky Way Climber
38	Free Standing Options
39	Options
50	Behind the Scenes
51	Photo Gallery

# The Best Value

in Outdoor Playground Equipment!



## WE DELIVER AND INSTALL

Our trained crews will deliver and install your new swingset in your backyard. That means no wasted weekends for you.



## POLY CONSTRUCTION

Produced with plastic lumber made from high density polyethylene which would normally be disposed in our landfills.



## 8 DIFFERENT COLOR COMBOS

Available in colors that will blend into any backyard.



## MAINTENANCE FREE

Our swingsets will not rust, rot or fall apart from wear. Poly and vinyl does not require staining or painting and are built to withstand harsh weather.



## STAINLESS STEEL FASTENERS

We use only high quality stainless steel fasteners on all of our swingsets, which is proven to be much more resistant to corrosion.



## QUALITY ASSURANCE

All our swingsets are made using only the highest quality materials, allowing us to stand behind our products knowing it will serve you well for years to come.



# FAQ



## Why is a vinyl swingset so much better than a traditional wood swingset?

By covering the wooden structural elements of the swingset, it keeps the stability without the maintenance. No one wants to restrain or repaint a swingset every year. Covering the wood also eliminates splinters. It also preserves the wood, helping our swingsets last for many fun-filled years.

## What if my yard is not completely flat?

We can install on small slopes, however, we need to dig down/block up the tower to get it level.

## How hard is it to maintain a vinyl swingset?

We love this question! Maintenance is all but unneeded. From time to time, as any outdoor toys do, your swingset will become dirty. Just use a simple cleaner and a soft bristled brush or gently power wash the swingset.

## Does the swingset get anchored into the ground?

The tower of the swingset is very heavy and does not require anchoring. We do use heavy duty spikes to anchor the ends of our swing beams to the ground.

## Does it cost extra to customize?

No. The cost only changes as you add or take away components.

## Can I pick my own colors?

Yes, you can mix and match colors as you choose.

## Do your swingsets have any sharp edges?

No, to assure safety, all sharp edges are covered with a smooth rounded cap.

## Do you have a warranty?

Yes! Swingsets of this caliber carry a hefty warranty! We offer a 20 year warranty on our craftsmanship, while all of the accessories like slides, swings and roofs are covered by a 5 year warranty. Please visit our website to learn more about our industry leading warranties!

# How This Works



## 1. Get Acquainted!

Find the dimensions of your space, and get to know all of our options.

## 2. Dream & Design!

Tweak one of our standard models to your specs, or design your own from the ground up. Use our online design center to bring your dreams to reality!



## 3. Quote & Ordering!

Contact your local dealer for a customized quote on your masterpiece!

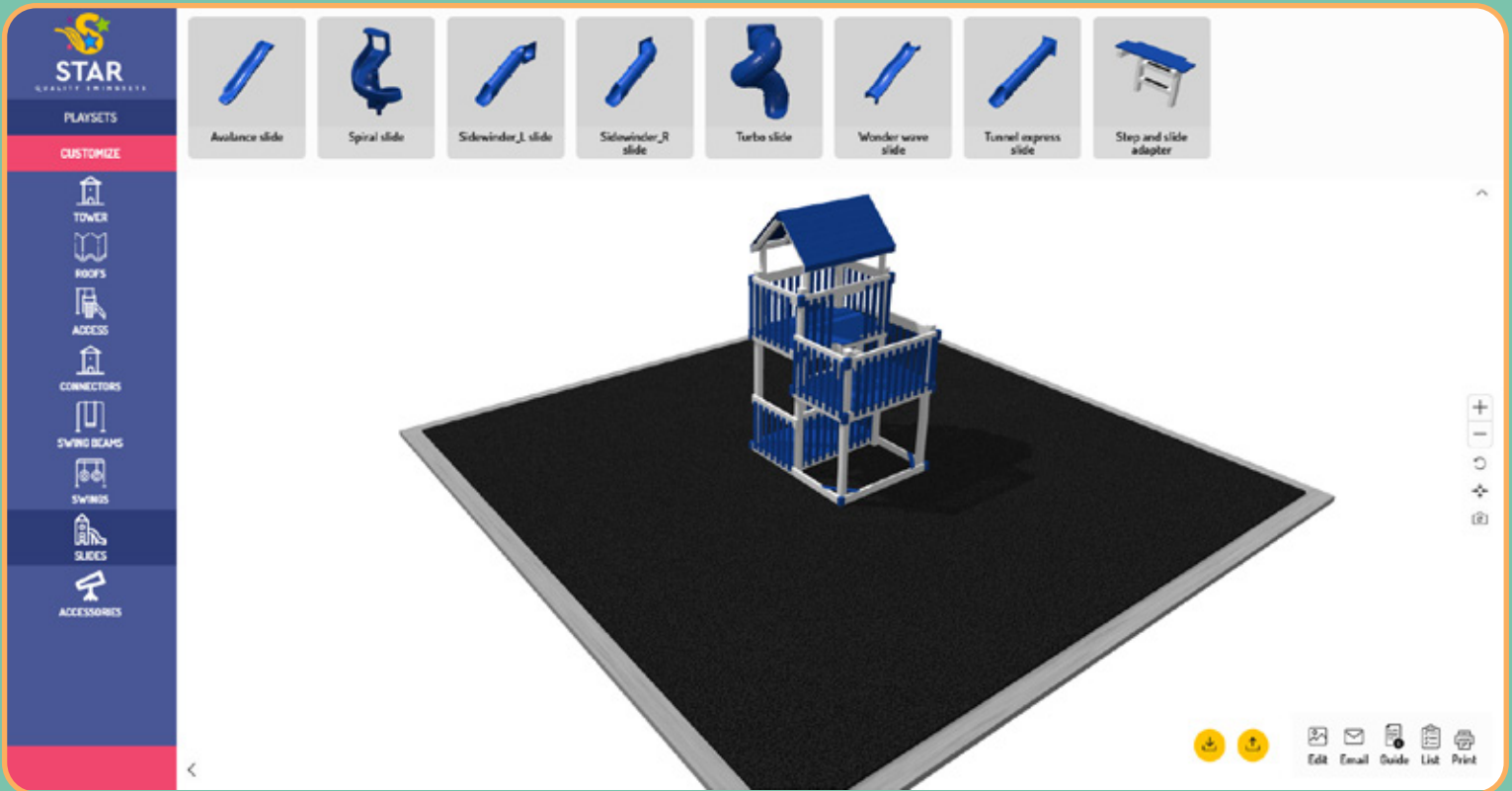
## 4. Delivery & Install!

We will schedule a day for install. Most sets take 1 to 3 hours to install, then it's playtime!



# Design in 3D

Use our easy to use 3d design center to design your own epic playground!



3D Design



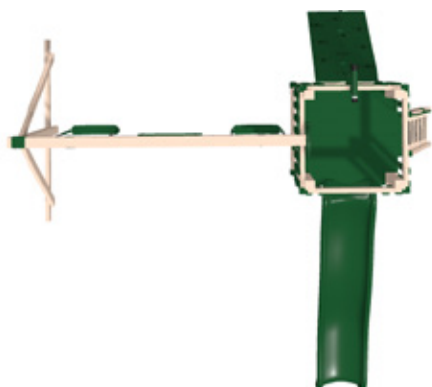
Final install



# Star I

Vinyl Color: Tan  
 Trim Color: Green  
 Tower: 4x4  
 Deck Height: 5'

Climbers: 5' Entrance Ladder, 5' Rockwall  
 Slides: 10' Wonder Wave  
 Swing Beam: 3 Position Single  
 Swings: (2) Belt Swings, Trapeze  
 Add-Ons: Ships Wheel, Telescope



Border Needed:  
 24 pcs.  
 Rubber Mulch Needed:  
 2.25 Tons  
 Actual Size:  
 17' W x 17' D  
 Total Space Needed:  
 24' W x 24' D



Don't need a sandbox? A second deck underneath the tower is a great option!

# Star II

Vinyl Color: Tan  
Trim Color: Red  
Tower: 2x2  
Deck Height: 5'

Climbers: Entrance Ladder  
Slides: 10' Wonder Wave  
Swing Beam: 3 Position Single  
Swings: (2) Belt Swings, Trapeze  
Add-Ons: Steering Wheel



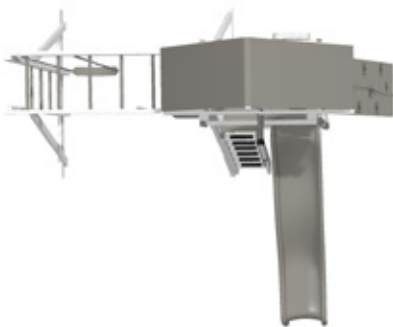
Border Needed:  
22 pcs.  
Rubber Mulch Needed:  
2 Tons  
Actual Size:  
13' W x 17' D  
Total Space Needed:  
20' W x 26' D



# Space Ship

Vinyl Color: White  
Trim Color: Gray  
Tower: 3x5  
Deck Height: 5'  
Roof: 3x9 Canvas  
Climbers: 5' Entrance Ladder,  
5' Rockwall

Slides: 10' Wonder Wave  
Swing Beam: 2 Position Monkey Bars  
Swings: (2) Belt Swings  
Add-Ons: Tic-Tac-Toe, Steering  
Wheel, Telescope



Border Needed:  
22 Pcs.  
Rubber Mulch Needed:  
1.75 Tons  
Actual Size:  
15' W x 16' D  
Total Space needed:  
21' W x 22' D

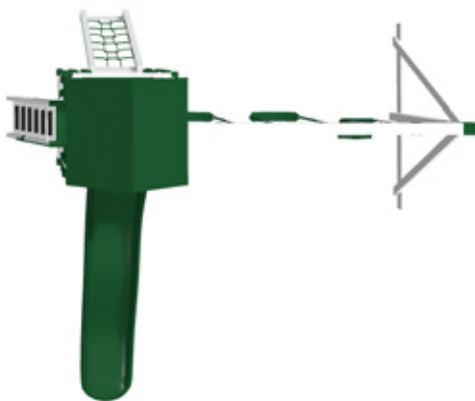




# Star Cluster

Vinyl Color: White  
 Trim Color: Green  
 Tower: 4x4  
 Deck Height: 5'  
 Roof: 4x4 Vinyl  
 Climbers: 5' Entrance Ladder,  
 5' Cargo Net

Slides: 10' Avalanche  
 Swing Beam: 3 Position Single  
 Swings: (2) Belt Swings,  
 Highback Baby Swing  
 Add-Ons: Binoculars, Steering Wheel



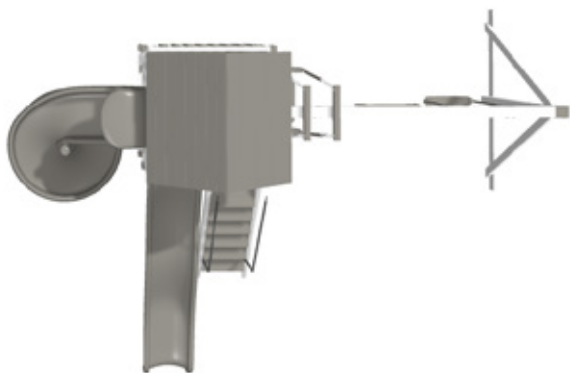
Border Needed:  
 24 pcs.  
 Rubber Mulch Needed:  
 2.25 Tons  
 Actual Size:  
 17' W x 16' D  
 Total Space Needed:  
 24' W x 24' D



# Star Explorer

Vinyl Color: White  
Trim Color: Gray  
Tower: 5x5  
Deck Height: 5'  
Roof: 5x5 Vinyl  
Climbers: Stairs With Metal Handrails

Slides: 10' Wonder Wave, 7' Spiral w/ Step and Slide Adapter  
Swing Beam: 3 Position Single  
Swings: Belt Swing, Trapeze, Safe-T-Glider with 4 Chain Adapter



Border Needed:  
26 pcs.  
Rubber Mulch Needed:  
2.5 Tons  
Actual Size:  
21' W x 15' D  
Total Space Needed:  
28' W x 24' D





# Shooting Star Climber

Vinyl Color: White  
 Trim Color: Blue  
 Tower: 5x5  
 Deck Height: 5'  
 Roof: 5x5 Star Deluxe

Climbers: 5' Entrance Ladder,  
 5' Rockwall  
 Slides: 10' Wonder Wave  
 Swing Beams: 3 Position Monkey Bar  
 Swings: Belt Swing, Trapeze, Safe-t-Glider  
 Add-Ons: Steering Wheel, Binoculars



Border Needed:  
 24 pcs  
 Rubber Mulch Needed:  
 2.25 Tons  
 Actual Size:  
 18' W x 17' D  
 Total Space Needed:  
 24' W x 24' D



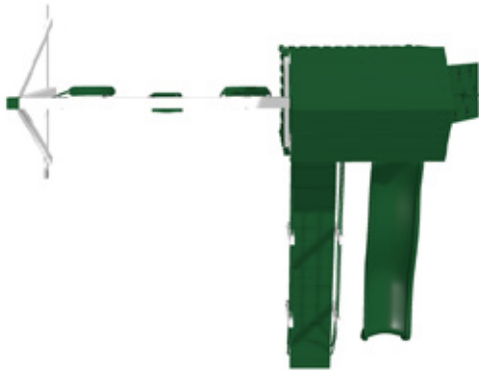
Do you want more slides? Add a 5' Spiral slide instead of the rockwall.



# Silver Star

Vinyl Color: White  
 Trim Color: Green  
 Tower Size: 4x6  
 Deck Height: 5'  
 Roof: 4x6 Vinyl  
 Climbers: 12' Ramp with Rope, 5' Rockwall

Slides: 10' Wonder Wave  
 Swing Beams: 3 Position Single  
 Swings: (2) Belt Swings, Highback  
 Baby Swing  
 Add-Ons: Binoculars, Steering Wheel



Border Needed:  
 26 pcs.  
 Rubber Mulch Needed:  
 2.5 Tons  
 Actual Size:  
 19' W x 16' D  
 Total Space Needed:  
 28' W x 24' D

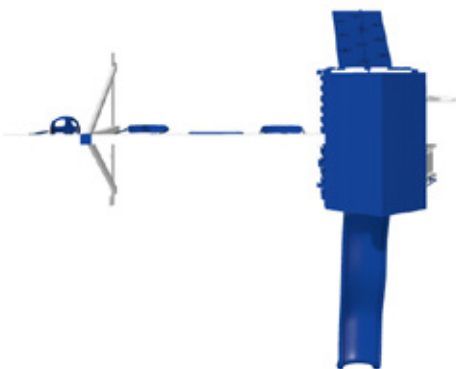


Don't forget your fun add-ons!

# Solar

Vinyl Color: White  
Trim Color: Blue  
Tower Size: 4x6  
Deck Height: 5'  
Roof: 4x6 Vinyl  
Climbers: 5' Entrance Ladder,  
5' Rockwall

Slides: 10' Wonder Wave  
Swing Beam: 4 Position Single  
Swings: (2) Belt Swings, Baby Swing,  
Trapeze  
Add-Ons: 5' Fireman's Pole,  
Steering Wheel, Binoculars, 4x6  
Picnic Table



Border Needed:  
28 pcs.  
Rubber Mulch Needed:  
2.75 Tons  
Actual Size:  
20' W x 18' D  
Total Space Needed:  
28' W x 28' D

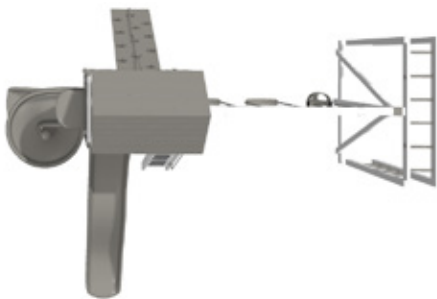




# Star Light

Vinyl Color: White  
 Trim Color: Gray  
 Tower Size: 4x6  
 Deck Height: 6'  
 Roof: 4x6 Vinyl  
 Climbers: 6' Entrance Ladder,  
 6' Rockwall

Slides: 12' Avalanche, 6' Spiral  
 Swing Beams: 3 Position Single  
 (extra high), Yardsaver Climber Unit  
 Swings: (2) Belt Swings, Baby Swing,  
 Tire Swing (under tower)  
 Add-Ons: Ground Level Decking



Border Needed:  
 30 pcs.  
 Rubber Mulch Needed:  
 3 Tons  
 Actual Size:  
 25' W x 18' D  
 Total Space Needed:  
 32' W x 28' D

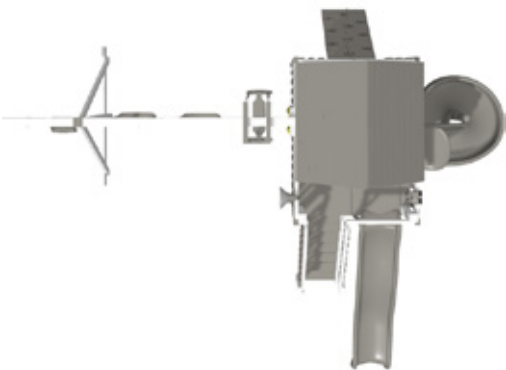




# Bright Star

Vinyl Color: White  
 Trim Color: Gray  
 Tower Size: 6x8  
 Deck Height: 5'  
 Roof: 6x6 Vinyl  
 Climbers: 5' Stairs with Poly Handrails, 5' Rockwall

Slides: 10' Wonder Wave, 5' Spiral  
 Swing Beam: 4 Position Single  
 Swings: (2) Belt Swings, Highback Baby Swing, Safe-T-Glider w/ 4 Chain Adapter, Tire Swing (under tower)  
 Add-Ons: Binoculars, Megaphone, Tic-tac-toe



Border Needed:  
 30 pcs.  
 Rubber Mulch Needed:  
 3 Tons  
 Actual Size:  
 25' W x 20' D  
 Total Space Needed:  
 32' W x 28' D



# Wishing Star

Vinyl Color: White

Trim Color: Green

Tower Size: 3x5 A-Frame

Deck Height: 5'

Roof: 3x9 Canopy Roof

Climbers: 5' Entrance Ladder,  
5' Rockwall

Slides: 10' Wonder Wave

Swing Beam: 2 Position Single, 1  
Position Extension Arm

Swings: (2) Belt Swings, Trapeze  
Tire Swing (under tower)

Add-Ons: Megaphone, Telescope



Border Needed:

24 pcs.

Rubber Mulch Needed:

2 Tons

Actual Size:

21' W x 12' D

Total Space Needed:

28' W x 20' D



Tic-tac-toe, anyone?



# Stardust

Vinyl Color: Tan  
 Trim Color: Green  
 Tower Size: 5x5 A-Frame  
 Deck Height: 5'  
 Roof: 5x9 Canopy Roof  
 Add-Ons: Ships Wheel, Telescope

Climbers: 5' Entrance Ladder, 5' Cargo Net, 5' Rockwall  
 Slides: 10' Wonder Wave  
 Swing Beam: 2 Side Extension Arm  
 Swings: Belt Swing, Trapeze, Tire Swing (under tower)



Border Needed: 20 pcs.  
 Rubber Mulch Needed: 1.5 Tons  
 Actual Size: 11' W x 16' D  
 Total Space Needed: 16' W x 24' D

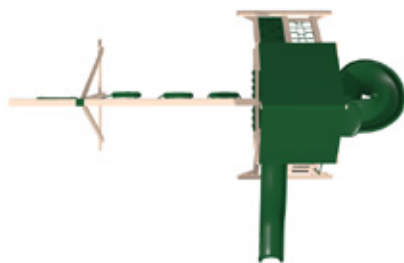




# Galaxy

Vinyl Color: Tan  
 Trim Color: Green  
 Tower Size: 5x5 A-Frame  
 Deck Height: 5'  
 Roof: 5x9 Canopy  
 Climbers: 5' Entrance Ladder,  
 5' Cargo Net, 5' Rockwall

Slides: 10' Wonder Wave, 5' Spiral  
 Swing Beams: 4 Position Single  
 Swings: (3) Belt Swings, Trapeze,  
 Tire Swing (under tower)  
 Add-Ons: Ships Wheel,  
 Binoculars



Border Needed:  
 28 pcs.  
 Rubber Mulch Needed:  
 2.75 Tons  
 Actual Size:  
 24' W x 16' D  
 Total Space Needed:  
 32' W x 24' D



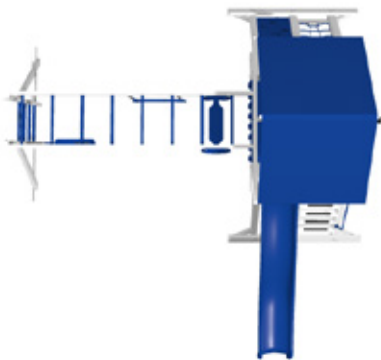
The Garden Bench is a great choice for parents and grandparents to sit and watch the fun.



# Star Burst

Vinyl Color: White  
 Trim Color: Blue  
 Tower Size: 5x5 A-Frame  
 Deck Height: 5'  
 Roof: 5x9 Canopy  
 Climbers: 5' Entrance Ladder,  
 5' Cargo Net, 5' Rockwall

Slides: 10' Wonder Wave  
 Swing Beams: 3 Position Monkey Bars  
 Swings: Belt Swing, Trapeze, Safe-T-Glider, Tire Swing (under tower)  
 Add-Ons: Ships Wheel, Telescope



Border Needed:  
 24 pcs.  
 Rubber Mulch Needed:  
 2.25 Tons  
 Actual Size:  
 16' W x 16' D  
 Total Space Needed:  
 24' W x 24' D

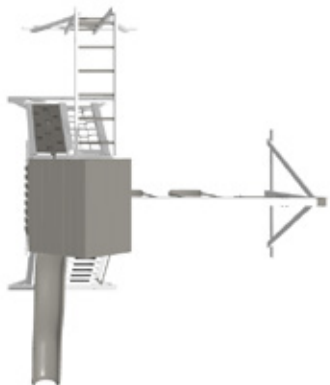




# Comet

Vinyl Color: Tan  
 Trim Color: Gray  
 Tower Size: 5x5 A-Frame  
 Deck Height: 5'  
 Roof: 5x5 Vinyl  
 Climbers: 5' Entrance Ladder,  
 5' Cargo Net, 5' Rockwall

Slides: 10' Wonder Wave  
 Swing Beam: 3 Position Single,  
 8' Monkey Bars  
 Swings: (2) Belt Swings, Trapeze  
 Tire Swing (under tower)  
 Add-Ons: Ships Wheel, Binoculars



Border Needed:  
 28 pcs.  
 Rubber Mulch Needed:  
 2.75 Tons  
 Actual Size:  
 16' W x 20' D  
 Total Space Needed:  
 24' W x 28' D

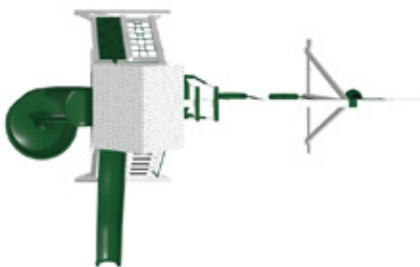


Visit our option pages in the back of the catalog to choose the perfect swings for your swingset!

# Galaxy Explorer

Vinyl Color: White  
 Trim Color: Green  
 Tower Size: 5x5 A-Frame  
 Deck Height: 5'  
 Roof: 5x5 Star Deluxe  
 Climbers: 5' Entrance Ladder,  
 5' Cargo Net, 5' Rockwall

Slides: 10' Avalanche, 7' Spiral w/  
 Step and Slide Adapter  
 Swing Beam: 4 Position Single  
 Swings: (2) Belt Swing, Safe-T-Glider  
 w/ 4 Chain Adapter, Buoy Ball-  
 Trapeze Combo, Tire Swing (under deck)  
 Add-Ons: Steering Wheel, Telescope



Border Needed:  
 28 pcs.  
 Rubber Mulch Needed:  
 2.75 Tons  
 Actual Size:  
 24' W x 16' D  
 Total Space Needed:  
 32' W x 24' D

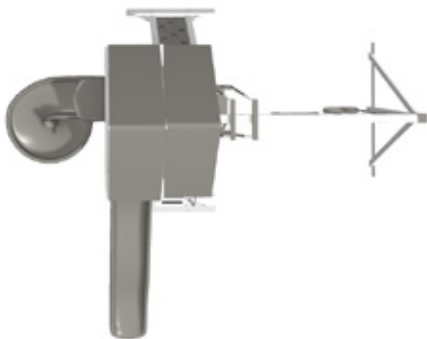




# Moon Walk

Vinyl Color: White  
 Trim Color: Gray  
 Tower Size: 3x5 A-Frame w/  
 3x5 7' Deck  
 Deck Heights: 5' and 7'  
 Roofs: (2) 3x9 Canopy  
 Climbers: 5' Entrance Ladder,  
 5' Rockwall

Slides: 14' Avalanche, 7' Spiral  
 Swing Beam: 3 Position Single  
 Swings: Belt Swing, Trapeze,  
 Safe-T-Glider with 4 Chain  
 Adapter, Tire Swing (under deck)



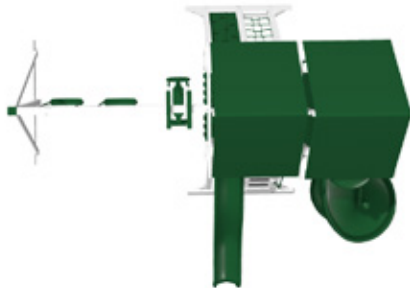
Border Needed:  
 28 pcs.  
 Rubber Mulch Needed:  
 2.75 Tons  
 Actual Size:  
 22' W x 23' D  
 Total Space Needed:  
 28' W x 31' D



# Nebula

Vinyl Color: White  
Trim Color: Green  
Tower Size: 5x5 A-frame w/  
5x5 7' Deck  
Deck Heights: 5' and 7'  
Roofs: (2) 5x9 Canopy  
Climbers: 5' Entrance Ladder,  
5' Cargo Net, 5' Rockwall

Slides: 10' Wonder Wave, 7' Spiral  
Swing Beam: 3 Position Single  
Swings: (2) Belt Swings, Safe-T-  
Glider with 4 Chain Adapter, Tire  
Swing (under tower), Hammock  
Swing (under tower)  
Add-Ons: Steering Wheel



Border Needed:  
26 pcs  
Rubber Mulch Needed:  
2.5 Tons  
Actual Size:  
21' W x 16' D  
Total Space Needed:  
28' W x 24' D

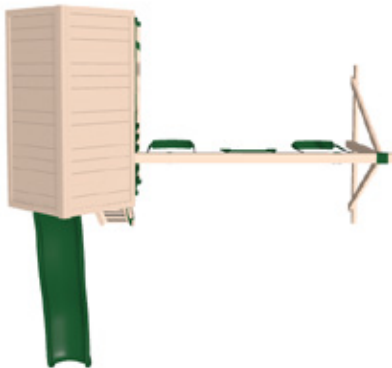




# Play Station

Vinyl Color: Tan  
 Trim Color: Green  
 Wall Color: Tan  
 Roof Color: Tan  
 Tower Size: 5x8 with 5x5  
 Playhouse  
 Deck Height: 5'

Climbers; Entrance Ladder  
 Slides: 10' Wonder Wave  
 Swing Beams: 3 Position Single Beam  
 Swings: (2) Belt Swings, Trapeze



Border Needed:  
 24 pcs.  
 Rubber Mulch Needed:  
 2.25 Tons  
 Actual Size:  
 16' W x 18' D  
 Total Space Needed:  
 24' W x 24' D



# Star Gazer

Vinyl Color: White  
Trim Color: Gray  
Wall Color: White  
Roof Color: Black, Lean-to  
Tower Size: 6x8 Tower  
w/ 5x6 Playhouse  
Deck Height: 5'

Climbers: 5' Stairs w/ Metal Rails  
Slides: 10' Wonder Wave, 5' Spiral  
Swing Beams: 4 Position Single Beam  
Swings: Belt Swing, Baby Swing, Hammock,  
Safe-T-Glider w/ 4 Chain Adapter  
Add-Ons: Steering Wheel, Telescope



Border Needed:  
28 pcs.  
Rubber Mulch Needed:  
2.75 Tons  
Actual Size:  
25' W x 18' D  
Total Space Needed:  
32' W x 24' D

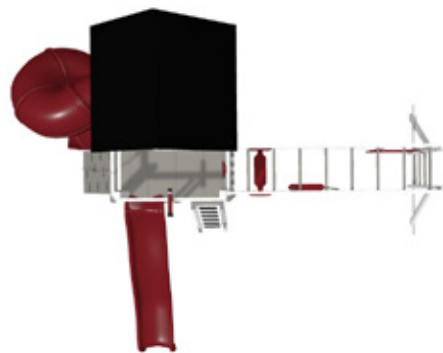




# Mercury

**Vinyl Color:** White  
**Trim Color:** Gray/Red  
**Wall Color:** Slate Gray  
**Roof Color:** Black  
**Tower Size:** 6x8 with 5x6  
 Playhouse  
**Deck Height:** 5'

**Climbers:** 5' Entrance Ladder,  
 5' Rockwall  
**Slides:** 10' Wonder Wave, 7' Turbo  
**Swing Beams:** 3 Position Monkey Bar  
**Swings:** Safe-T-glider, Belt Swing,  
 Trapeze  
**Add-Ons:** Steering Wheel, Telescope



**Border needed:**  
 27 Pcs.  
**Rubber Mulch Needed:**  
 2.5 Tons  
**Actual Size:**  
 22' W x 18' D  
**Total Space Needed:**  
 29' W x 24' D

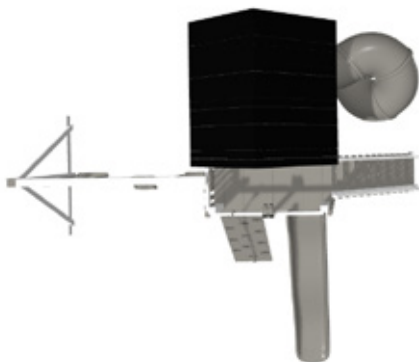




# Super Nova

Vinyl Color: White  
 Trim Color: Gray  
 Wall Color: White  
 Roof Color: Black  
 Tower Size: 8x11 with 8x8 Playhouse  
 Deck Height: 6'

Climbers: 6' Stairs w/ Poly Rails  
 Slides: 12' Avalanche, 7' Turbo  
 Swing Beams: 3 Position Single Beam, Extra High Beam  
 Swings: (2) Belt Swings. Highback Baby Swing, Web Swing (under tower)  
 Add-Ons: Ships Wheel, Telescope



Border Needed: 30 Pcs.  
 Rubber Mulch Needed: 3.5 Tons  
 Actual Size: 25' W x 23' D  
 Total Space Needed: 31' W x 29' D

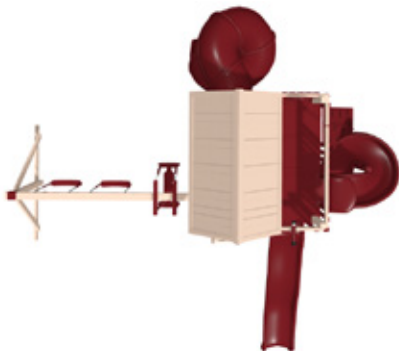




# Orian's Hideout

**Vinyl Color:** Tan  
**Trim Color:** Red  
**Wall Color:** Tan  
**Roof Color:** Tan  
**Tower Size:** 8x8 Tower  
 with 5x5 Playhouse  
**Deck Height:** 5'  
**Climbers:** 5' Entrance Ladder  
 5' Rockwall

**Slides:** 10' Wonder Wave, 5' Spiral,  
 7' Turbo  
**Swing Beams:** 3 Position Single Beam  
**Swings:** (2) Belt Swings, Safe-T-Glider  
 w/ 4 Chain Adapter, Tire Swing (under  
 tower)  
**Add-Ons:** Ships Wheel, Telescope



**Border Needed:**  
 32 pcs.  
**Rubber Mulch Needed:**  
 3.5 Tons  
**Actual Size:**  
 24' W x 23' D  
**Total Space Needed:**  
 32' W x 32' D



# Galaxy Star

Vinyl Color: White  
Trim Color: Gray  
Tower 1 Size: 4x6  
Roof: 4x6 Vinyl  
Tower 2 Size: 5x8 Tower  
with 5x5 playhouse  
Wall Color: White  
Roof Color: White  
Deck Height: 5'  
Connector: 8' Wobbly Bridge

Climbers: 5' Stairs w/ Metal Handrails,  
5' Rockwall, Tower Mounting Ladder  
Slides: 10' Wonder Wave, 5' Sidewinder  
Swing Beams: 3 Position Monkey Bars  
Swings: (2) Belt Swings, Safe-T-Glider  
Add-Ons: 5' Fireman's Pole, Telescope, Ships  
Wheel, Clear Section For Sidewinder Slide



Border Needed:  
32 pcs.  
Rubber Mulch Needed:  
3.5 Tons  
Actual Size:  
33' W x 18' D  
Total Space Needed:  
40' W x 24' D





# Super Star

Vinyl Color: Tan  
 Trim Color: Green  
 Tower Size: 5x8 Double  
 Deck Heights: 5' and 7'  
 Roof: 5x5 Vinyl  
 Climbers: 5' Entrance Ladder,  
 5' Rockwall

Slides: 10' Wonder Wave, 7' Spiral  
 Swing Beam: 4 Position Monkey Bars  
 Swings: (2) Belt Swing, Trapeze,  
 Safe-T-Glider  
 Add-Ons: 5x5 Ground Level Deck, 5'  
 Trading Post, Binoculars, Ships Wheel,  
 Trading Post Chairs



Border Needed:  
 30 pcs.  
 Rubber Mulch Needed:  
 3 Tons  
 Actual Size:  
 21' W x 23' D  
 Total Space Needed:  
 28' W x 29' D

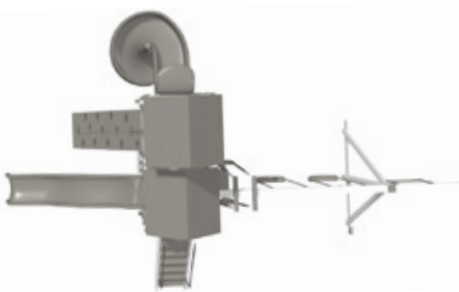




# Space Shuttle

Vinyl Color: White  
 Trim Color: Gray  
 Tower Size: 4x8 Double  
 Deck Height: 5' and 7'  
 Roofs: (2) 4x4 Vinyl  
 Climbers: Stairs w/ Metal Handrails, 7' Rockwall

Slides: 10' Wonder Wave, 7' Spiral  
 Swing Beams: 4 Position Single  
 Swings: (2) Belt Swings, Trapeze, Safe-T-Glider with 4 Chain Adapter  
 Add-Ons: Tic-Tac-Toe



Border Needed: 32 pcs.  
 Rubber Mulch Needed: 3.5 Tons  
 Actual Size: 28' W x 18' D  
 Total Space Needed: 36' W x 28' D





## Lucky Star

Vinyl Color: White  
Trim Color: Green  
Tower 1 Size: 5x5 A-Frame with 5x5 7' Deck  
Deck Height: 5' and 7'  
Roofs: (2) 5x5 Vinyl  
Tower 2 Size: 5x8 Double Deck Heights: 5' and 7'  
Roof: 5x5 Vinyl

Tower 3 Size: 5x5  
Deck Height: 5'  
Roof: 5x5 Vinyl  
Connectors: 6' 6" Crawl Tunnel, 6' 6" Bridge with Rails  
Climbers: (2) 5' Entrance Ladders, 12' Ramp w/ Rails, 5' Rockwall, 5' Cargo Net  
Slides: 10' Wonder Wave, 7' Spiral, 7' Turbo, 5' Sidewinder



**Swing Beams:** Extra High 4 Position Single Beam, 3 Position Monkey Bars, Tower Mounting Ladder

**Swings:** (2) Belt Swings, Baby Swing, Safe-T-Glider w/ 4 Chain Adapter

**Border Needed:**

40 pcs.

**Rubber Mulch Needed:**

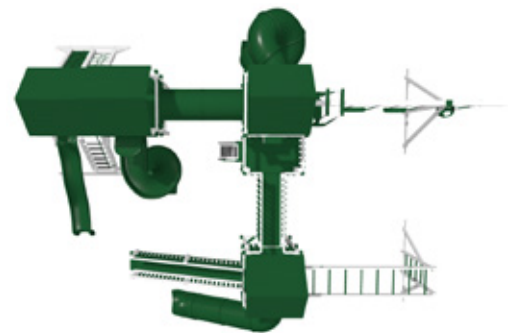
5.25 Tons

**Actual Size:**

35' W x 27' D

**Total Space Needed:**

44' W x 36' D





# Orbit Nebula Climber

Vinyl Color: Tan  
 Trim Color: Green  
 Tower Size: 6x8 Triple  
 Deck Heights: 5' and 7'  
 Roof: 4x6 Vinyl  
 Climbers: 5' Entrance Ladder,

Slides: 10' Wonder Wave, 7' Spiral  
 Swing Beam: 3 Position Monkey Bars  
 Swings: Belt Swing, Safe-T-Glider,  
 Baby Swing  
 Add-Ons: Tic-Tac-Toe, Ships Wheel,  
 Binoculars, Steering Wheel



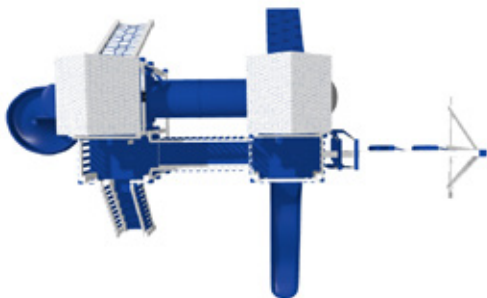
Border Needed:  
 26 pcs.  
 Rubber Mulch Needed:  
 2.5 Tons  
 Actual Size:  
 22' W x 18' D  
 Total Space Needed:  
 28' W x 24' D



# Milky Way Climber

Vinyl Color: White  
Trim Color: Blue  
Tower Sizes: (2) 5x8 Double  
Deck Heights: 5' and 7'  
Roofs: (2) 5x5 Star Deluxe  
Slides: 10' Avalanche, 7' Spiral  
Climbers: 5' Stairs w/ Poly  
Rails, 7' Rockwall, 7' Cargo  
Net

Connectors: 6' 6" Crawl Tunnel,  
6' 6" Bridge with Rails  
Swing Beam: 3 Position Single  
Beam  
Swings: (2) Belt Swing, Safe-T-Glider  
w/ 4 chain adapter  
Add-Ons: Bubble Panel, Binoculars,  
Ships Wheel



Border Needed:  
34 pcs.  
Rubber Mulch Needed:  
3.75 Tons  
Actual Size:  
32' W x 20' D  
Total Space Needed:  
40' W x 28' D



# Free Standing Options For The Ultimate Playground!



**Free Standing Swing Beam**  
available in 2, 3 or 4 position lengths



**Fanback Lawn Swing with Frame**  
The perfect spot for Dad and Mom!



**4' Garden Bench**



# Guide To Building Your Own Swingset!

## Step 1: Choose Your Colors!

### Vinyl Colors



White



Tan



Green



Gray



Blue



Red

### Trim Colors

### Popular Color Combinations



Green/White



Gray/White



Green/Tan



Blue/White

### Playhouse Colors

For playhouses, you can choose a vinyl color, a wall color, a roof color and a trim color.

### Wall and Roof Colors



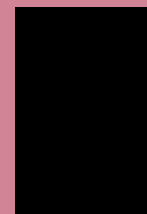
White



Tan



Slate Gray



Black



# Guide To Building Your Own Swingset!

## Step 2: Choose Your Tower Size!



2x2



3x5



4x4



4x6



5x5



6x8



4x8 Double



5x8 Double



6x8 Triple



3x5 A-frame



3x5 A-frame w/  
3x5 7' Deck



5x5  
A-frame



5x5 A-frame w/  
5x5 7' Deck



5x8  
Playhouse



6x8 Lean-To  
Playhouse



6x8 A-frame Playhouse



8x8 Playhouse



8x11 A-frame Playhouse

# Guide To Building Your Own Swingset!

## Step 3: Choose Your Roof!

Which roof style is right for you? Canvas Roofs are more budget friendly, while vinyl roofs have the timeless a-frame look and are handmade in our shop. Star Deluxe roofs have that classy, modern feel.



### Canvas Roof

Use on 3x5 and 5x5 towers only



### Star Deluxe Roof

4x4, 4x6, 5x5

Available in green/white, green/tan, blue/white, gray/white and red/white



### Vinyl Roof

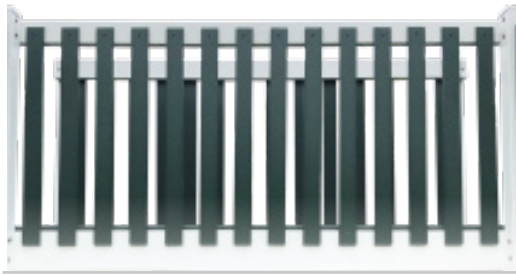
2x2, 3x5, 4x4, 4x6, 5x5, 6x6



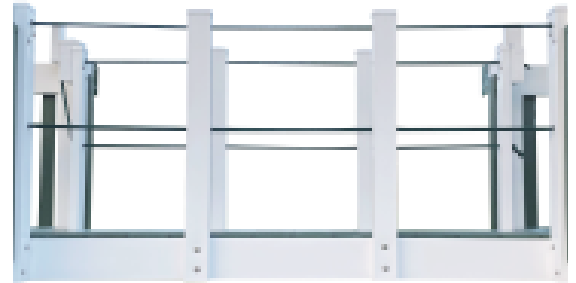
## *Guide To Building Your Own Swingset!*

### **Step 3: Choose A Connecting Option!**

Add a second tower with a connecting option, or you can also use swing beams to connect towers. If you are using a connecting option, just revert back to step 2 after choosing your connector! If you don't need a connector for your swingset, just skip this step!



6' 6" Bridge with Rails



6' 6" Bridge With Rope



6' 6" Crawl Tunnel



8' Wobbly Bridge



# Guide To Building Your Own Swingset!

## Step 4: Choose Your Access Options!



**Entrance Ladder**  
Comes standard with one handrail



**Stairs with Metal Handrails**  
5' deck height only.



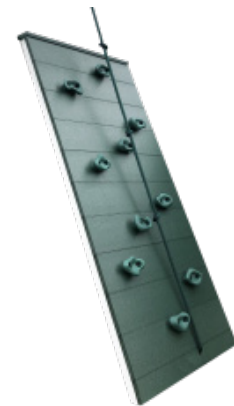
**Stairs with Railings**



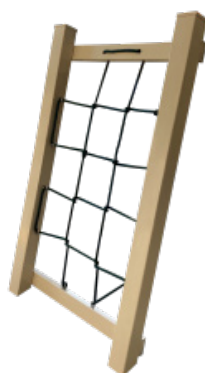
**12' Ramp w/ rope**  
5' deck height only



**12' Ramp w/ Railings**  
5' deck height only



**Rockwall**



**Cargo Net**



**Tower Mounting Ladder**  
Attaches to tower to dismount from monkey bars

# Guide To Building Your Own Swingset!

## Step 5: Choose Your Swing Beam!



2 Position Single Beam



3 Position Single Beam



4 Position Single Beam



2 Position Monkey Bars



3 Position Monkey Bars



4 Position Monkey Bars



1 Position  
Extension Arm



2 Position  
Extension Arm



Yardsaver Climber Unit

# Guide To Building Your Own Swingset!

## Step 6: Choose Your Slides!



**Wonder Wave Slide**

5'---deck height



**Avalanche Slide**

10'---for 5' deck height

12'---for 6' deck height

14'---for 7' deck height



**Spiral Slide**

5'---for 5' deck height

6'---for 6' deck height

7'---for 7' deck height



**Turbo Slide**

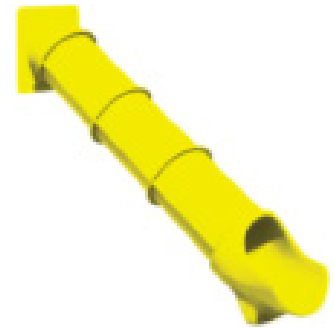
7'---for 7' deck height



**Sidewinder Slide**

5'---for 5' deck height

7'---for 7' deck height



**Tunnel Express Slide**

5'---for 5' deck height

7'---for 7' deck height



**Clear Sections**

Available for all tunnel slides



**Step and Slide Adapter**

Use to add any 7' deck slide to a 5' high deck

# Guide To Building Your Own Swingset!

## Step 8: Choose Your Swings!



Belt Swing



Trapeze Bar



Baby Swing



Highback Baby Swing



Safe-T-Glider

needs 4 chain adapter  
when used on single beams



Hammock



4 Chain Adapter



# Guide To Building Your Own Swingset!

## Step 8: Choose Your Swings!



Buoy Ball



Buoy Ball/Trapeze



Web Swing

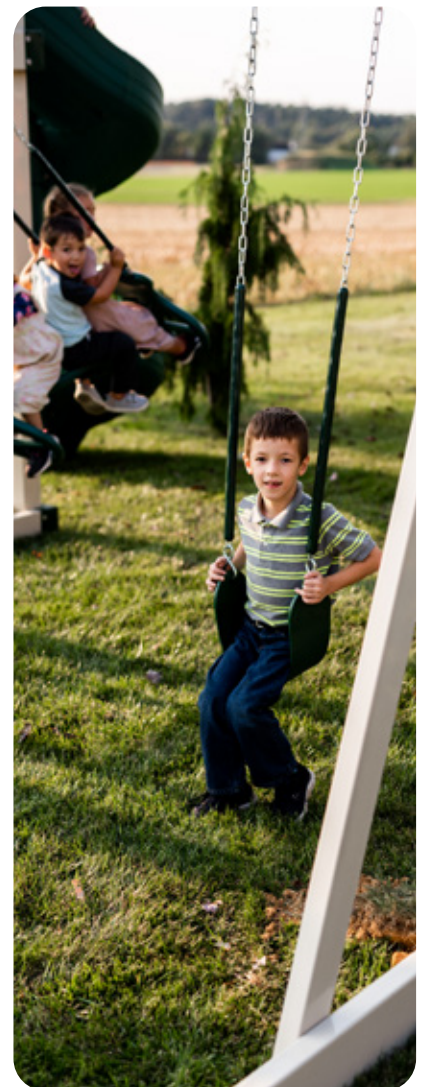
A Web Swing takes up TWO spaces on a swing beam, due to its size.



Swivel Tire Swing  
for hanging under  
towers



Tire Swing For Beam  
for hanging on swing  
beams



# Guide To Building Your Own Swingset!

## Step 9: Choose Your Fun Add-Ons!



Ships Wheel



Steering Wheel



Binoculars



Telescope



Spotlight



Megaphone



Tic-Tac-Toe



Picnic Table



Fireman's Pole



Swing Beam  
Misting System

Also available for slides!



Bubble Panel



Trading Post



Trading Post Chairs

Sold by the pair



Decking instead of Sandbox



Lower Deck Railing



Clubhouse under tower

5' high, 6' high, 7' high

Standard with 1 door and 2 windows

# Guide To Building Your Own Swingset!

## Step 10: Choose Your Finishing Touches!



Black



Green



Blue



Red



Brown

### Recycled Rubber Mulch

- creates safer playgrounds
- extremely durable, does not decompose
- Does not attract insects
- 5 great color options
- dries exceptionally fast after rain
- mulch is 99.9% steel free

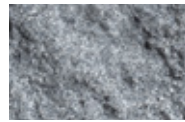
### Flex-Wall Landscape Edging

- keeps the play area separate from the rest of the yard.
- looks like real stone
- made in Lancaster County, PA



### Landing Pad

place under swings or slides



Gray



Tan



# Behind The Scenes

*at Star Quality Swingsets*



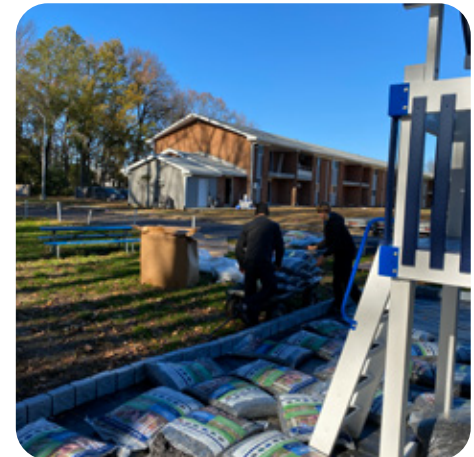
From our manufacturing facility,



to your backyard,



our dedicated crews will make sure you get the best swingset possible!



# Customer Photo Gallery

Here is a small sample of some of the custom swingsets we have manufactured and installed over the years!





## Your Authorized Dealer

---

2026 Star Quality Swingsets LLC All Rights Reserved. No part of this catalog may be reproduced in any form without the prior expressed written permission of Star Quality Swingsets LLC.