



STAR

QUALITY SWINGSETS



**PREMIUM
VINYL
SWING SETS**



About Us

For more than a decade, we have been handcrafting quality vinyl swingsets in Lancaster County, PA. Our family owned and operated business is fully committed to creating safe and durable swingsets for your children or grandchildren.

When you are looking for a playset for your child the last thing you need to worry about is safety. That's why at Star Quality we focus on safety. No exposed wood, which means no splinters, ever. Our rounded vinyl caps leave no dangerous sharp edges exposed. Non slip grip tape provides added traction on steps when entering the towers. Smooth, slip resistant vinyl is the only thing your child needs to come in contact with.

When it comes to durability, we believe in putting our money where our mouth is. That's why all our playsets have a no quibble, 20 year warranty. We believe in our product. That's why we guarantee you will too! See our warranty page for full details. Questions? Check out our FAQ's on page 5!

What are you waiting for? Shop our various playset models or start customizing your child's dream swingset today!

Follow us for custom builds and tips!



STAR

QUALITY SWINGSETS



Table of Contents

4	The Best Value In Outdoor Play
5	FAQ
6	How This Works
8	Star I
9	Star II
10	Space Ship
11	Star Cluster
12	Star Explorer
13	Shooting Star Climber
14	Silver Star
15	Solar
16	Starlight
17	Bright Star
18	Wishing Star
19	Stardust
20	Galaxy
21	Starburst
22	Comet
23	Galaxy Explorer
24	Moon Walk
25	Nebula
26	Playstation
27	Star Gazer
28	Mercury
29	Super Nova
30	Orion's Hideout
31	Galaxy Star
32	Super Star
33	Space Shuttle
34	Lucky Star
36	Orbit Nebula Climber
37	Milky Way Climber
38	Free Standing Options
39	Options
50	Behind the Scenes
51	Photo Gallery

The Best Value

in Outdoor Playground Equipment!



WE DELIVER AND INSTALL

Our trained crews will deliver and install your new swingset in your backyard. That means no wasted weekends for you.



POLY CONSTRUCTION

Produced with plastic lumber made from high density polyethylene which would normally be disposed in our landfills.



8 DIFFERENT COLOR COMBOS

Available in colors that will blend into any backyard.



MAINTENANCE FREE

Our swingsets will not rust, rot or fall apart from wear. Poly and vinyl does not require staining or painting and are built to withstand harsh weather.



STAINLESS STEEL FASTENERS

We use only high quality stainless steel fasteners on all of our swingsets, which is proven to be much more resistant to corrosion.



QUALITY ASSURANCE

All our swingsets are made using only the highest quality materials, allowing us to stand behind our products knowing it will serve you well for years to come.



FAQ



Why is a vinyl swingset so much better than a traditional wood swingset?

By covering the wooden structural elements of the swingset, it keeps the stability without the maintenance. No one wants to restrain or repaint a swingset every year. Covering the wood also eliminates splinters. It also preserves the wood, helping our swingsets last for many fun-filled years.

What if my yard is not completely flat?

We can install on small slopes, however, we need to dig down/block up the tower to get it level.

How hard is it to maintain a vinyl swingset?

We love this question! Maintenance is all but unneeded. From time to time, as any outdoor toys do, your swingset will become dirty. Just use a simple cleaner and a soft bristled brush or gently power wash the swingset.

Does the swingset get anchored into the ground?

The tower of the swingset is very heavy and does not require anchoring. We do use heavy duty spikes to anchor the ends of our swing beams to the ground.

Does it cost extra to customize?

No. The cost only changes as you add or take away components.

Can I pick my own colors?

Yes, you can mix and match colors as you choose.

Do your swingsets have any sharp edges?

No, to assure safety, all sharp edges are covered with a smooth rounded cap.

Do you have a warranty?

Yes! Swingsets of this caliber carry a hefty warranty! We offer a 20 year warranty on our craftsmanship, while all of the accessories like slides, swings and roofs are covered by a 5 year warranty. Please visit our website to learn more about our industry leading warranties!

How This Works



1. Get Acquainted!

Find the dimensions of your space, and get to know all of our options.

2. Dream & Design!

Tweak one of our standard models to your specs, or design your own from the ground up. Use our online design center to bring your dreams to reality!



3. Quote & Ordering!

Contact your local dealer for a customized quote on your masterpiece!

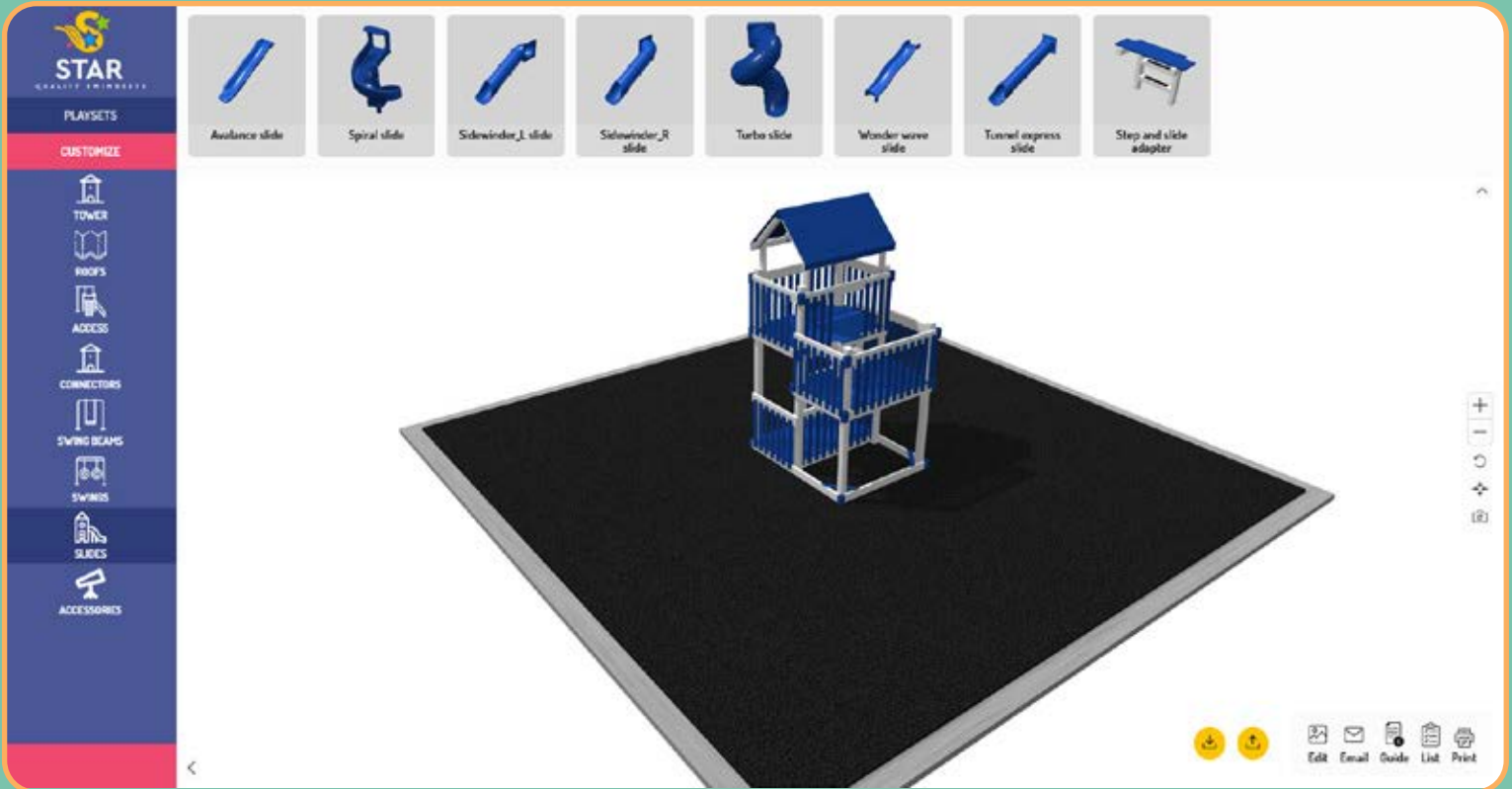
4. Delivery & Install!

We will schedule a day for install. Most sets take 1 to 3 hours to install, then it's playtime!



Design in 3D

Use our easy to use 3d design center to design your own epic playground!



3D Design



Final install



Star I

Vinyl Color: Tan
 Trim Color: Green
 Tower: 4x4
 Deck Height: 5'

Climbers: 5' Entrance Ladder, 5' Rockwall
 Slides: 10' Wonder Wave
 Swing Beam: 3 Position Single
 Swings: (2) Belt Swings, Trapeze
 Add-Ons: Ships Wheel, Telescope



Border Needed:
 24 pcs.
 Rubber Mulch Needed:
 2.25 Tons
 Actual Size:
 17' W x 17' D
 Total Space Needed:
 24' W x 24' D



Don't need a sandbox? A second deck underneath the tower is a great option!

Star II

Vinyl Color: Tan
Trim Color: Red
Tower: 2x2
Deck Height: 5'

Climbers: Entrance Ladder
Slides: 10' Wonder Wave
Swing Beam: 3 Position Single
Swings: (2) Belt Swings, Trapeze
Add-Ons: Steering Wheel



Border Needed:
22 pcs.
Rubber Mulch Needed:
2 Tons
Actual Size:
13' W x 17' D
Total Space Needed:
20' W x 26' D



Space Ship

Vinyl Color: White
Trim Color: Gray
Tower: 3x5
Deck Height: 5'
Roof: 3x9 Canvas
Climbers: 5' Entrance Ladder,
5' Rockwall

Slides: 10' Wonder Wave
Swing Beam: 2 Position Monkey Bars
Swings: (2) Belt Swings
Add-Ons: Tic-Tac-Toe, Steering
Wheel, Telescope



Border Needed:
22 Pcs.
Rubber Mulch Needed:
1.75 Tons
Actual Size:
15' W x 16' D
Total Space needed:
21' W x 22' D

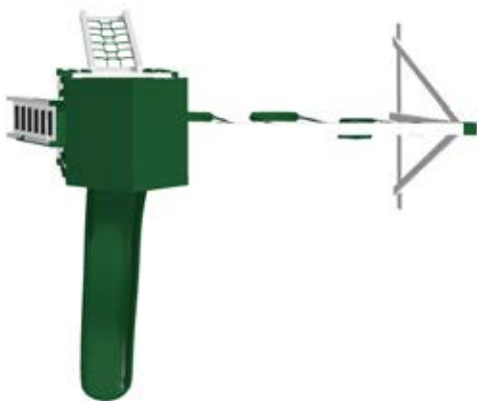




Star Cluster

Vinyl Color: White
 Trim Color: Green
 Tower: 4x4
 Deck Height: 5'
 Roof: 4x4 Vinyl
 Climbers: 5' Entrance Ladder,
 5' Cargo Net

Slides: 10' Avalanche
 Swing Beam: 3 Position Single
 Swings: (2) Belt Swings,
 Highback Baby Swing
 Add-Ons: Binoculars, Steering Wheel



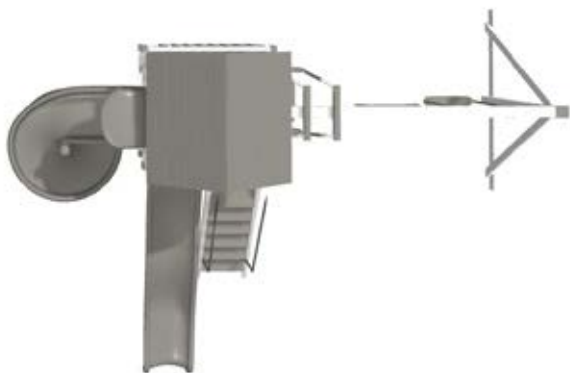
Border Needed:
 24 pcs.
 Rubber Mulch Needed:
 2.25 Tons
 Actual Size:
 17' W x 16' D
 Total Space Needed:
 24' W x 24' D



Star Explorer

Vinyl Color: White
Trim Color: Gray
Tower: 5x5
Deck Height: 5'
Roof: 5x5 Vinyl
Climbers: Stairs With Metal Handrails

Slides: 10' Wonder Wave, 7' Spiral w/ Step and Slide Adapter
Swing Beam: 3 Position Single
Swings: Belt Swing, Trapeze, Safe-T-Glider with 4 Chain Adapter



Border Needed:
26 pcs.
Rubber Mulch Needed:
2.5 Tons
Actual Size:
21' W x 15' D
Total Space Needed:
28' W x 24' D





Shooting Star Climber

Vinyl Color: White
 Trim Color: Blue
 Tower: 5x5
 Deck Height: 5'
 Roof: 5x5 Star Deluxe

Climbers: 5' Entrance Ladder,
 5' Rockwall
 Slides: 10' Wonder Wave
 Swing Beams: 3 Position Monkey Bar
 Swings: Belt Swing, Trapeze, Safe-t-Glider
 Add-Ons: Steering Wheel, Binoculars



Border Needed:
 24 pcs
 Rubber Mulch Needed:
 2.25 Tons
 Actual Size:
 18' W x 17' D
 Total Space Needed:
 24' W x 24' D



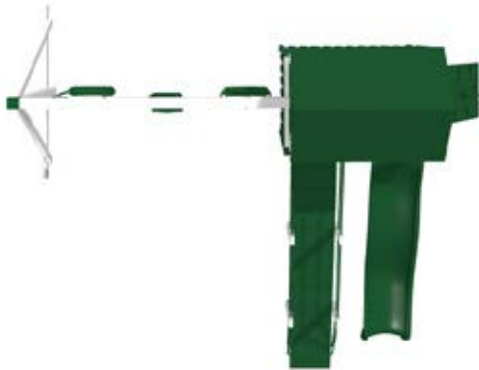
Do you want more slides? Add a 5' Spiral slide instead of the rockwall.



Silver Star

Vinyl Color: White
 Trim Color: Green
 Tower Size: 4x6
 Deck Height: 5'
 Roof: 4x6 Vinyl
 Climbers: 12' Ramp with Rope, 5' Rockwall

Slides: 10' Wonder Wave
 Swing Beams: 3 Position Single
 Swings: (2) Belt Swings, Highback
 Baby Swing
 Add-Ons: Binoculars, Steering Wheel



Border Needed:
 26 pcs.
 Rubber Mulch Needed:
 2.5 Tons
 Actual Size:
 19' W x 16' D
 Total Space Needed:
 28' W x 24' D

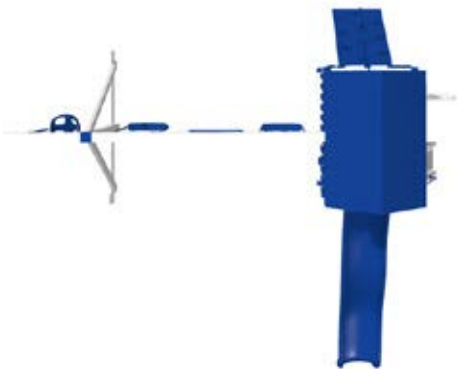


Don't forget your fun add-ons!

Solar

Vinyl Color: White
Trim Color: Blue
Tower Size: 4x6
Deck Height: 5'
Roof: 4x6 Vinyl
Climbers: 5' Entrance Ladder,
5' Rockwall

Slides: 10' Wonder Wave
Swing Beam: 4 Position Single
Swings: (2) Belt Swings, Baby Swing,
Trapeze
Add-Ons: 5' Fireman's Pole,
Steering Wheel, Binoculars, 4x6
Picnic Table



Border Needed:
28 pcs.
Rubber Mulch Needed:
2.75 Tons
Actual Size:
20' W x 18' D
Total Space Needed:
28' W x 28' D

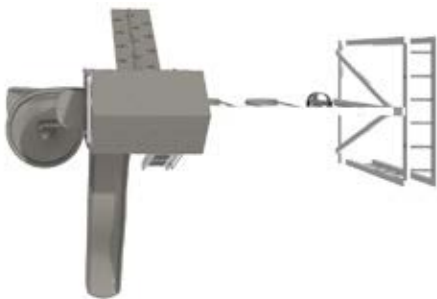




Star Light

Vinyl Color: White
 Trim Color: Gray
 Tower Size: 4x6
 Deck Height: 6'
 Roof: 4x6 Vinyl
 Climbers: 6' Entrance Ladder,
 6' Rockwall

Slides: 12' Avalanche, 6' Spiral
 Swing Beams: 3 Position Single
 (extra high), Yardsaver Climber Unit
 Swings: (2) Belt Swings, Baby Swing,
 Tire Swing (under tower)
 Add-Ons: Ground Level Decking



Border Needed:
 30 pcs.
 Rubber Mulch Needed:
 3 Tons
 Actual Size:
 25' W x 18' D
 Total Space Needed:
 32' W x 28' D

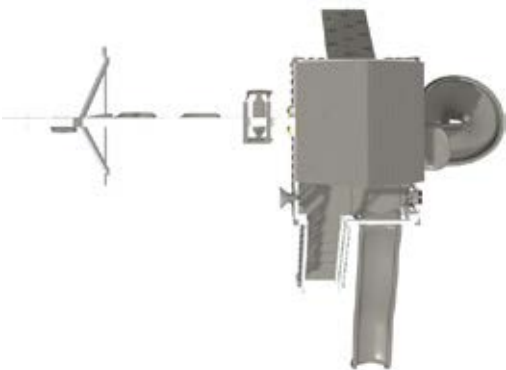




Bright Star

Vinyl Color: White
 Trim Color: Gray
 Tower Size: 6x8
 Deck Height: 5'
 Roof: 6x6 Vinyl
 Climbers: 5' Stairs with Poly Handrails, 5' Rockwall

Slides: 10' Wonder Wave, 5' Spiral
 Swing Beam: 4 Position Single
 Swings: (2) Belt Swings, Highback Baby Swing, Safe-T-Glider w/ 4 Chain Adapter, Tire Swing (under tower)
 Add-Ons: Binoculars, Megaphone, Tic-tac-toe



Border Needed:
 30 pcs.
 Rubber Mulch Needed:
 3 Tons
 Actual Size:
 25' W x 20' D
 Total Space Needed:
 32' W x 28' D



Wishing Star

Vinyl Color: White

Trim Color: Green

Tower Size: 3x5 A-Frame

Deck Height: 5'

Roof: 3x9 Canopy Roof

Climbers: 5' Entrance Ladder,
5' Rockwall

Slides: 10' Wonder Wave

Swing Beam: 2 Position Single, 1
Position Extension Arm

Swings: (2) Belt Swings, Trapeze
Tire Swing (under tower)

Add-Ons: Megaphone, Telescope



Border Needed:

24 pcs.

Rubber Mulch Needed:

2 Tons

Actual Size:

21' W x 12' D

Total Space Needed:

28' W x 20' D



Tic-tac-toe, anyone?



Stardust

Vinyl Color: Tan
 Trim Color: Green
 Tower Size: 5x5 A-Frame
 Deck Height: 5'
 Roof: 5x9 Canopy Roof
 Add-Ons: Ships Wheel, Telescope

Climbers: 5' Entrance Ladder, 5' Cargo Net, 5' Rockwall
 Slides: 10' Wonder Wave
 Swing Beam: 2 Side Extension Arm
 Swings: Belt Swing, Trapeze, Tire Swing (under tower)



Border Needed:
 20 pcs.
 Rubber Mulch Needed:
 1.5 Tons
 Actual Size:
 11' W x 16' D
 Total Space Needed:
 16' W x 24' D





Galaxy

Vinyl Color: Tan
 Trim Color: Green
 Tower Size: 5x5 A-Frame
 Deck Height: 5'
 Roof: 5x9 Canopy
 Climbers: 5' Entrance Ladder,
 5' Cargo Net, 5' Rockwall

Slides: 10' Wonder Wave, 5' Spiral
 Swing Beams: 4 Position Single
 Swings: (3) Belt Swings, Trapeze,
 Tire Swing (under tower)
 Add-Ons: Ships Wheel,
 Binoculars



Border Needed:
 28 pcs.
 Rubber Mulch Needed:
 2.75 Tons
 Actual Size:
 24' W x 16' D
 Total Space Needed:
 32' W x 24' D



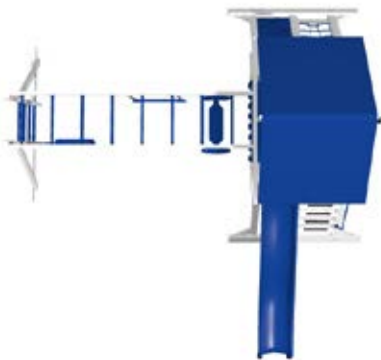
The Garden Bench is a great choice for parents and grandparents to sit and watch the fun.



Star Burst

Vinyl Color: White
 Trim Color: Blue
 Tower Size: 5x5 A-Frame
 Deck Height: 5'
 Roof: 5x9 Canopy
 Climbers: 5' Entrance Ladder,
 5' Cargo Net, 5' Rockwall

Slides: 10' Wonder Wave
 Swing Beams: 3 Position Monkey Bars
 Swings: Belt Swing, Trapeze, Safe-T-Glider, Tire Swing (under tower)
 Add-Ons: Ships Wheel, Telescope



Border Needed:
 24 pcs.
 Rubber Mulch Needed:
 2.25 Tons
 Actual Size:
 16' W x 16' D
 Total Space Needed:
 24' W x 24' D

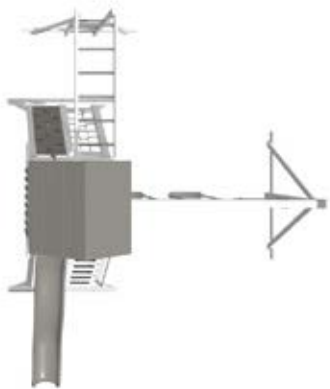




Comet

Vinyl Color: Tan
 Trim Color: Gray
 Tower Size: 5x5 A-Frame
 Deck Height: 5'
 Roof: 5x5 Vinyl
 Climbers: 5' Entrance Ladder,
 5' Cargo Net, 5' Rockwall

Slides: 10' Wonder Wave
 Swing Beam: 3 Position Single,
 8' Monkey Bars
 Swings: (2) Belt Swings, Trapeze
 Tire Swing (under tower)
 Add-Ons: Ships Wheel, Binoculars



Border Needed:
 28 pcs.
 Rubber Mulch Needed:
 2.75 Tons
 Actual Size:
 16' W x 20' D
 Total Space Needed:
 24' W x 28' D

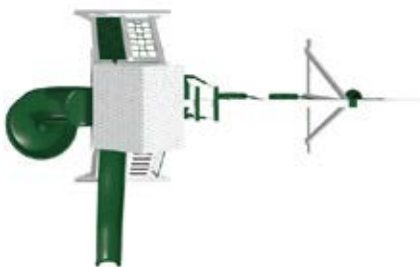


Visit our option pages in the back
 of the catalog to choose the perfect
 swings for your swingset!

Galaxy Explorer

Vinyl Color: White
Trim Color: Green
Tower Size: 5x5 A-Frame
Deck Height: 5'
Roof: 5x5 Star Deluxe
Climbers: 5' Entrance Ladder,
5' Cargo Net, 5' Rockwall

Slides: 10' Avalanche, 7' Spiral w/
Step and Slide Adapter
Swing Beam: 4 Position Single
Swings: (2) Belt Swing, Safe-T-Glider
w/ 4 Chain Adapter, Buoy Ball-
Trapeze Combo, Tire Swing (under deck)
Add-Ons: Steering Wheel, Telescope



Border Needed:
28 pcs.
Rubber Mulch Needed:
2.75 Tons
Actual Size:
24' W x 16' D
Total Space Needed:
32' W x 24' D





Moon Walk

Vinyl Color: White
 Trim Color: Gray
 Tower Size: 3x5 A-Frame w/
 3x5 7' Deck
 Deck Heights: 5' and 7'
 Roofs: (2) 3x9 Canopy
 Climbers: 5' Entrance Ladder,
 5' Rockwall

Slides: 14' Avalanche, 7' Spiral
 Swing Beam: 3 Position Single
 Swings: Belt Swing, Trapeze,
 Safe-T-Glider with 4 Chain
 Adapter, Tire Swing (under deck)



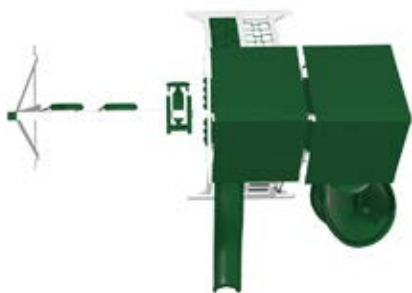
Border Needed:
 28 pcs.
 Rubber Mulch Needed:
 2.75 Tons
 Actual Size:
 22' W x 23' D
 Total Space Needed:
 28' W x 31' D



Nebula

Vinyl Color: White
Trim Color: Green
Tower Size: 5x5 A-frame w/
5x5 7' Deck
Deck Heights: 5' and 7'
Roofs: (2) 5x9 Canopy
Climbers: 5' Entrance Ladder,
5' Cargo Net, 5' Rockwall

Slides: 10' Wonder Wave, 7' Spiral
Swing Beam: 3 Position Single
Swings: (2) Belt Swings, Safe-T-
Glider with 4 Chain Adapter, Tire
Swing (under tower), Hammock
Swing (under tower)
Add-Ons: Steering Wheel



Border Needed:
26 pcs
Rubber Mulch Needed:
2.5 Tons
Actual Size:
21' W x 16' D
Total Space Needed:
28' W x 24' D





Play Station

Vinyl Color: Tan
 Trim Color: Green
 Wall Color: Tan
 Roof Color: Tan
 Tower Size: 5x8 with 5x5
 Playhouse
 Deck Height: 5'

Climbers; Entrance Ladder
 Slides: 10' Wonder Wave
 Swing Beams: 3 Position Single Beam
 Swings: (2) Belt Swings, Trapeze



Border Needed:
 24 pcs.
 Rubber Mulch Needed:
 2.25 Tons
 Actual Size:
 16' W x 18' D
 Total Space Needed:
 24' W x 24' D



Star Gazer

Vinyl Color: White
Trim Color: Gray
Wall Color: White
Roof Color: Black, Lean-to
Tower Size: 6x8 Tower
w/ 5x6 Playhouse
Deck Height: 5'

Climbers: 5' Stairs w/ Metal Rails
Slides: 10' Wonder Wave, 5' Spiral
Swing Beams: 4 Position Single Beam
Swings: Belt Swing, Baby Swing, Hammock,
Safe-T-Glider w/ 4 Chain Adapter
Add-Ons: Steering Wheel, Telescope



Border Needed:
28 pcs.
Rubber Mulch Needed:
2.75 Tons
Actual Size:
25' W x 18' D
Total Space Needed:
32' W x 24' D

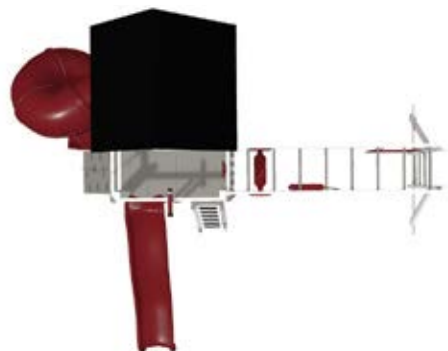




Mercury

Vinyl Color: White
Trim Color: Gray/Red
Wall Color: Slate Gray
Roof Color: Black
Tower Size: 6x8 with 5x6
 Playhouse
Deck Height: 5'

Climbers: 5' Entrance Ladder,
 5' Rockwall
Slides: 10' Wonder Wave, 7' Turbo
Swing Beams: 3 Position Monkey Bar
Swings: Safe-T-glider, Belt Swing,
 Trapeze
Add-Ons: Steering Wheel, Telescope



Border needed:
 27 Pcs.
Rubber Mulch Needed:
 2.5 Tons
Actual Size:
 22' W x 18' D
Total Space Needed:
 29' W x 24' D

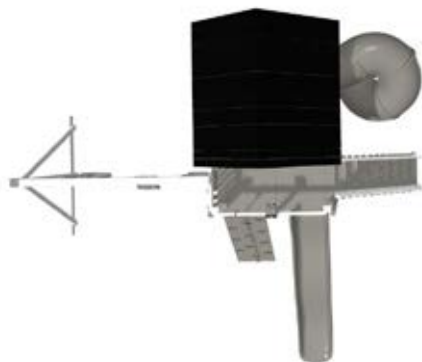




Super Nova

Vinyl Color: White
Trim Color: Gray
Wall Color: White
Roof Color: Black
Tower Size: 8x11 with 8x8 Playhouse
Deck Height: 6'

Climbers: 6' Stairs w/ Poly Rails
Slides: 12' Avalanche, 7' Turbo
Swing Beams: 3 Position Single Beam, Extra High Beam
Swings: (2) Belt Swings. Highback Baby Swing, Web Swing (under tower)
Add-Ons: Ships Wheel, Telescope



Border Needed:
 30 Pcs.
Rubber Mulch Needed:
 3.5 Tons
Actual Size:
 25' W x 23' D
Total Space Needed:
 31' W x 29' D

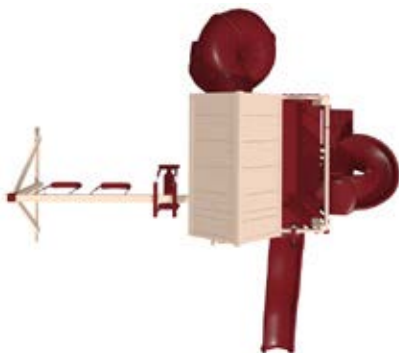




Orian's Hideout

Vinyl Color: Tan
Trim Color: Red
Wall Color: Tan
Roof Color: Tan
Tower Size: 8x8 Tower
 with 5x5 Playhouse
Deck Height: 5'
Climbers: 5' Entrance Ladder
 5' Rockwall

Slides: 10' Wonder Wave, 5' Spiral,
 7' Turbo
Swing Beams: 3 Position Single Beam
Swings: (2) Belt Swings, Safe-T-Glider
 w/ 4 Chain Adapter, Tire Swing (under
 tower)
Add-Ons: Ships Wheel, Telescope



Border Needed:
 32 pcs.
Rubber Mulch Needed:
 3.5 Tons
Actual Size:
 24' W x 23' D
Total Space Needed:
 32' W x 32' D



Galaxy Star

Vinyl Color: White
Trim Color: Gray
Tower 1 Size: 4x6
Roof: 4x6 Vinyl
Tower 2 Size: 5x8 Tower
with 5x5 playhouse
Wall Color: White
Roof Color: White
Deck Height: 5'
Connector: 8' Wobbly Bridge

Climbers: 5' Stairs w/ Metal Handrails,
5' Rockwall, Tower Mounting Ladder
Slides: 10' Wonder Wave, 5' Sidewinder
Swing Beams: 3 Position Monkey Bars
Swings: (2) Belt Swings, Safe-T-Glider
Add-Ons: 5' Fireman's Pole, Telescope, Ships
Wheel, Clear Section For Sidewinder Slide



Border Needed:
32 pcs.
Rubber Mulch Needed:
3.5 Tons
Actual Size:
33' W x 18' D
Total Space Needed:
40' W x 24' D





Super Star

Vinyl Color: Tan
 Trim Color: Green
 Tower Size: 5x8 Double
 Deck Heights: 5' and 7'
 Roof: 5x5 Vinyl
 Climbers: 5' Entrance Ladder,
 5' Rockwall

Slides: 10' Wonder Wave, 7' Spiral
 Swing Beam: 4 Position Monkey Bars
 Swings: (2) Belt Swing, Trapeze,
 Safe-T-Glider
 Add-Ons: 5x5 Ground Level Deck, 5'
 Trading Post, Binoculars, Ships Wheel,
 Trading Post Chairs



Border Needed:
 30 pcs.
 Rubber Mulch Needed:
 3 Tons
 Actual Size:
 21' W x 23' D
 Total Space Needed:
 28' W x 29' D





Space Shuttle

Vinyl Color: White
 Trim Color: Gray
 Tower Size: 4x8 Double
 Deck Height: 5' and 7'
 Roofs: (2) 4x4 Vinyl
 Climbers: Stairs w/ Metal
 Handrails, 7' Rockwall

Slides: 10' Wonder Wave, 7' Spiral
 Swing Beams: 4 Position Single
 Swings: (2) Belt Swings, Trapeze,
 Safe-T-Glider with 4 Chain Adapter
 Add-Ons: Tic-Tac-Toe



Border Needed:
 32 pcs.
 Rubber Mulch Needed:
 3.5 Tons
 Actual Size:
 28' W x 18' D
 Total Space Needed:
 36' W x 28' D





Lucky Star

Vinyl Color: White
Trim Color: Green
Tower 1 Size: 5x5 A-Frame
with 5x5 7' Deck
Deck Height: 5' and 7'
Roofs: (2) 5x5 Vinyl
Tower 2 Size: 5x8 Double
Deck Heights: 5' and 7'
Roof: 5x5 Vinyl

Tower 3 Size: 5x5
Deck Height: 5'
Roof: 5x5 Vinyl
Connectors: 6' 6" Crawl Tunnel,
6' 6" Bridge with Rails
Climbers: (2) 5' Entrance Ladders,
12' Ramp w/ Rails, 5' Rockwall,
5' Cargo Net
Slides: 10' Wonder Wave, 7' Spiral,
7' Turbo, 5' Sidewinder



Swing Beams: Extra High 4 Position Single Beam, 3 Position Monkey Bars, Tower Mounting Ladder

Swings: (2) Belt Swings, Baby Swing, Safe-T-Glider w/ 4 Chain Adapter

Border Needed:

40 pcs.

Rubber Mulch Needed:

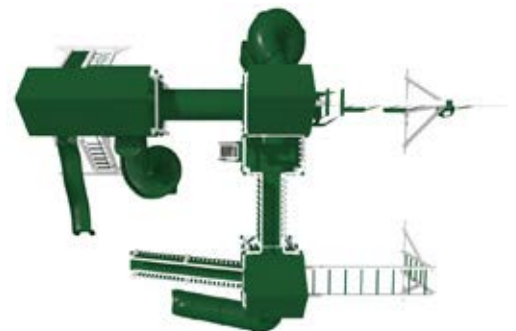
5.25 Tons

Actual Size:

35' W x 27' D

Total Space Needed:

44' W x 36' D





Orbit Nebula Climber

Vinyl Color: Tan
 Trim Color: Green
 Tower Size: 6x8 Triple
 Deck Heights: 5' and 7'
 Roof: 4x6 Vinyl
 Climbers: 5' Entrance Ladder,

Slides: 10' Wonder Wave, 7' Spiral
 Swing Beam: 3 Position Monkey Bars
 Swings: Belt Swing, Safe-T-Glider,
 Baby Swing
 Add-Ons: Tic-Tac-Toe, Ships Wheel,
 Binoculars, Steering Wheel



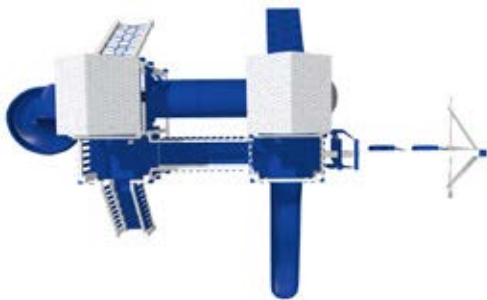
Border Needed:
 26 pcs.
 Rubber Mulch Needed:
 2.5 Tons
 Actual Size:
 22' W x 18' D
 Total Space Needed:
 28' W x 24' D



Milky Way Climber

Vinyl Color: White
 Trim Color: Blue
 Tower Sizes: (2) 5x8 Double
 Deck Heights: 5' and 7'
 Roofs: (2) 5x5 Star Deluxe
 Slides: 10' Avalanche, 7' Spiral
 Climbers: 5' Stairs w/ Poly
 Rails, 7' Rockwall, 7' Cargo
 Net

Connectors: 6' 6" Crawl Tunnel,
 6' 6" Bridge with Rails
 Swing Beam: 3 Position Single
 Beam
 Swings: (2) Belt Swing, Safe-T-Glider
 w/ 4 chain adapter
 Add-Ons: Bubble Panel, Binoculars,
 Ships Wheel



Border Needed:
 34 pcs.
 Rubber Mulch Needed:
 3.75 Tons
 Actual Size:
 32' W x 20' D
 Total Space Needed:
 40' W x 28' D



Free Standing Options For The Ultimate Playground!



Free Standing Swing Beam
available in 2, 3 or 4 position lengths



Fanback Lawn Swing with Frame
The perfect spot for Dad and Mom!



4' Garden Bench



Guide To Building Your Own Swingset!

Step 1: Choose Your Colors!

Vinyl Colors



White



Tan



Green



Gray



Blue



Red

Trim Colors

Popular Color Combinations



Green/White



Gray/White



Green/Tan



Blue/White

Playhouse Colors

For playhouses, you can choose a vinyl color, a wall color, a roof color and a trim color.

Wall and Roof Colors



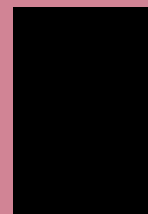
White



Tan



Slate Gray



Black



Guide To Building Your Own Swingset!

Step 2: Choose Your Tower Size!



2x2



3x5



4x4



4x6



5x5



6x8



4x8 Double



5x8 Double



6x8 Triple



3x5 A-frame



3x5 A-frame w/
3x5 7' Deck



5x5
A-frame



5x5 A-frame w/
5x5 7' Deck



5x8
Playhouse



6x8 Lean-To
Playhouse



6x8 A-frame Playhouse



8x8 Playhouse



8x11 A-frame Playhouse

Guide To Building Your Own Swingset!

Step 3: Choose Your Roof!

Which roof style is right for you? Canvas Roofs are more budget friendly, while vinyl roofs have the timeless a-frame look and are handmade in our shop. Star Deluxe roofs have that classy, modern feel.



Canvas Roof

Use on 3x5 and 5x5 towers only



Star Deluxe Roof

4x4, 4x6, 5x5

Available in green/white, green/tan, blue/white, gray/white and red/white



Vinyl Roof

2x2, 3x5, 4x4, 4x6, 5x5, 6x6



Guide To Building Your Own Swingset!

Step 3: Choose A Connecting Option!

Add a second tower with a connecting option, or you can also use swing beams to connect towers. If you are using a connecting option, just revert back to step 2 after choosing your connector! If you don't need a connector for your swingset, just skip this step!



6' 6" Bridge with Rails



6' 6" Bridge With Rope



6' 6" Crawl Tunnel



8' Wobbly Bridge



Guide To Building Your Own Swingset!

Step 4: Choose Your Access Options!



Entrance Ladder
Comes standard with one handrail



Stairs with Metal Handrails
5' deck height only.



Stairs with Railings



12' Ramp w/ rope
5' deck height only



12' Ramp w/ Railings
5' deck height only



Rockwall



Cargo Net



Tower Mounting Ladder
Attaches to tower to dismount from monkey bars

Guide To Building Your Own Swingset!

Step 5: Choose Your Swing Beam!



2 Position Single Beam



3 Position Single Beam



4 Position Single Beam



2 Position Monkey Bars



3 Position Monkey Bars



4 Position Monkey Bars



1 Position
Extension Arm



2 Position
Extension Arm



Yardsaver Climber Unit

Guide To Building Your Own Swingset!

Step 6: Choose Your Slides!



Wonder Wave Slide

5'---deck height



Avalanche Slide

10'---for 5' deck height

12'---for 6' deck height

14'---for 7' deck height



Spiral Slide

5'---for 5' deck height

6'---for 6' deck height

7'---for 7' deck height



Turbo Slide

7'---for 7' deck height



Sidewinder Slide

5'---for 5' deck height

7'---for 7' deck height



Tunnel Express Slide

5'---for 5' deck height

7'---for 7' deck height



Clear Sections

Available for all tunnel slides



Step and Slide Adapter

Use to add any 7' deck slide to a 5' high deck

Guide To Building Your Own Swingset!

Step 8: Choose Your Swings!



Belt Swing



Trapeze Bar



Baby Swing



Highback Baby Swing



Safe-T-Glider

needs 4 chain adapter
when used on single beams



Hammock



4 Chain Adapter



Guide To Building Your Own Swingset!

Step 8: Choose Your Swings!



Buoy Ball



Buoy Ball/Trapeze



Web Swing

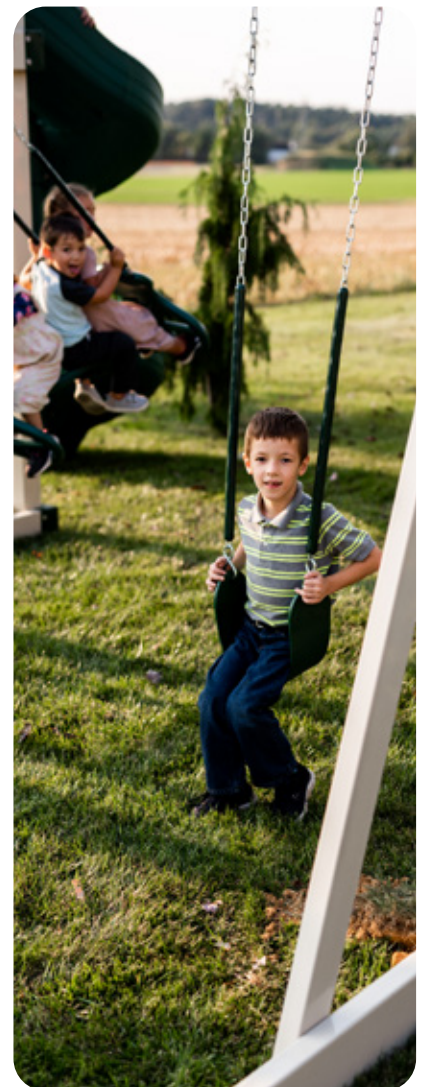
A Web Swing takes up TWO spaces on a swing beam, due to its size.



Swivel Tire Swing
for hanging under
towers



Tire Swing For Beam
for hanging on swing
beams



Guide To Building Your Own Swingset!

Step 9: Choose Your Fun Add-Ons!



Ships Wheel



Steering Wheel



Binoculars



Telescope



Spotlight



Megaphone



Tic-Tac-Toe



Picnic Table



Fireman's Pole



Swing Beam
Misting System

Also available for slides!



Bubble Panel



Trading Post



Trading Post Chairs

Sold by the pair



Decking instead of Sandbox



Lower Deck Railing



Clubhouse under tower

5' high, 6' high, 7' high

Standard with 1 door and 2 windows

Guide To Building Your Own Swingset!

Step 10: Choose Your Finishing Touches!



Black



Green



Blue



Red



Brown

Recycled Rubber Mulch

- creates safer playgrounds
- extremely durable, does not decompose
- Does not attract insects
- 5 great color options
- dries exceptionally fast after rain
- mulch is 99.9% steel free

Flex-Wall Landscape Edging

- keeps the play area separate from the rest of the yard.
- looks like real stone
- made in Lancaster County, PA



Landing Pad

place under swings
or slides



Gray



Tan



Behind The Scenes

at Star Quality Swingsets



From our manufacturing facility,



to your backyard,



our dedicated crews will make sure you get the best swingset possible!



Customer Photo Gallery

Here is a small sample of some of the custom swingsets we have manufactured and installed over the years!





STAR

QUALITY SWINGSETS

Your Authorized Dealer



CAPITOL
SHEDS.com

Visit any one of our 8 convenient locations

(888) 828.9743

CapitolSheds.com